

## Luminaire Property

Luminaire: RH-CL11111-30-3000

Report NO.:

Test NO.: HLB230402

Lamp:

Sum Lumens: 3398.13 lm

Number of Lamps: 1

Diameter: mm

Length: 195mm

Photometric Type: Type C

Voltage: 231.0 V

Current: 0.126 A

Power: 28.0 W

Power Factor: 0.962

Ballast Type: OSRAM 700mA

Width: 195mm

Height: 130mm

Remark:

## Photometric Results

Lumens: 3398.13 lm

Efficiency: 121.3618 lm/W

Central Intensity: 7808.593cd

Maximum Intensity: 7930.174cd

Angle of maximum intensity: C:135.0 G:3.0

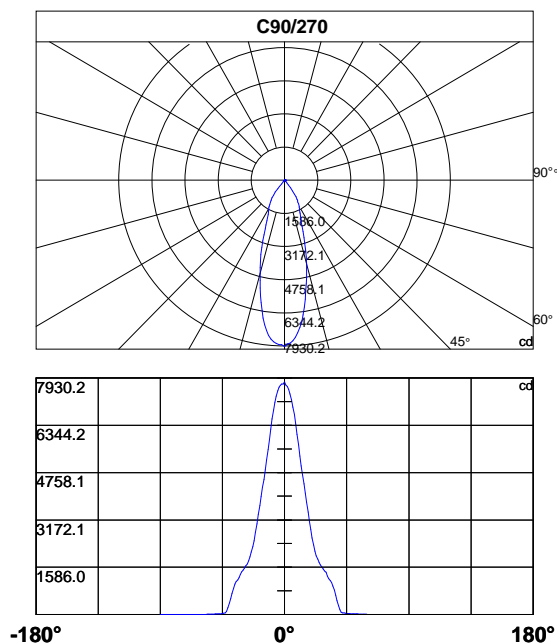
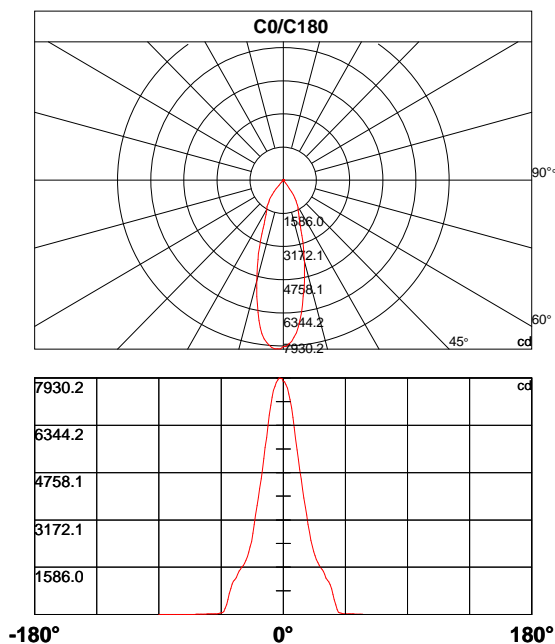
Half Peak Side Angle(50%): Left: -17.8 Right:14.8

Light Out Rate(LOR) : 100.00%

Up Flux Rate: 0.0%

Down Flux Rate: 100.0%

Beam Angle(10%): Left: -38.4 Right:35.4



## Photometric Data Table [cd]

C\G	0.0	1.0	2.0	3.0	4.0	5.0	6.0	7.0	8.0	9.0
0.0	7808.6	7809.5	7706.5	7583.7	7392.4	7201.0	6921.4	6614.4	6265.2	5905.8
45.0	7808.6	7697.2	7649.5	7545.6	7396.2	7194.2	6953.5	6712.8	6391.8	6046.2
90.0	7808.6	7697.2	7649.5	7545.6	7396.2	7194.2	6953.5	6712.8	6391.8	6046.2
135.0	7808.6	7914.0	7924.4	7930.2	7873.4	7785.7	7654.9	7512.1	7289.3	7017.1
180.0	7808.6	7914.0	7924.4	7930.2	7873.4	7785.7	7654.9	7512.1	7289.3	7017.1
225.0	7808.6	7727.6	7726.5	7681.5	7614.9	7499.8	7325.4	7114.7	6858.9	6557.1
270.0	7808.6	7727.6	7726.5	7681.5	7614.9	7499.8	7325.4	7114.7	6858.9	6557.1
315.0	7808.6	7809.5	7706.5	7583.7	7392.4	7201.0	6921.4	6614.4	6265.2	5905.8
360.0	7808.6	7809.5	7706.5	7583.7	7392.4	7201.0	6921.4	6614.4	6265.2	5905.8

C\G	10.0	11.0	12.0	13.0	14.0	15.0	16.0	17.0	18.0	19.0
0.0	5519.0	5208.2	4861.4	4539.6	4212.0	3903.4	3594.7	3336.3	3032.5	2748.0
45.0	5683.8	5316.5	4980.4	4702.2	4383.9	4066.0	3750.4	3435.5	3117.5	2854.1
90.0	5683.8	5316.5	4980.4	4702.2	4383.9	4066.0	3750.4	3435.5	3117.5	2854.1
135.0	6691.7	6322.2	5936.8	5605.1	5224.9	4874.9	4547.0	4224.4	3918.7	3646.6
180.0	6691.7	6322.2	5936.8	5605.1	5224.9	4874.9	4547.0	4224.4	3918.7	3646.6
225.0	6212.3	5858.1	5541.0	5188.2	4851.6	4528.9	4261.4	3956.0	3654.8	3345.3
270.0	6212.3	5858.1	5541.0	5188.2	4851.6	4528.9	4261.4	3956.0	3654.8	3345.3
315.0	5519.0	5208.2	4861.4	4539.6	4212.0	3903.4	3594.7	3336.3	3032.5	2748.0
360.0	5519.0	5208.2	4861.4	4539.6	4212.0	3903.4	3594.7	3336.3	3032.5	2748.0

C\G	20.0	21.0	22.0	23.0	24.0	25.0	26.0	27.0	28.0	29.0
0.0	2488.4	2274.3	2100.5	1975.0	1851.9	1740.1	1652.9	1578.1	1509.3	1449.5
45.0	2568.4	2325.1	2124.1	1969.0	1860.7	1747.8	1661.7	1586.8	1521.0	1463.0
90.0	2568.4	2325.1	2124.1	1969.0	1860.7	1747.8	1661.7	1586.8	1521.0	1463.0
135.0	3329.7	3019.4	2720.6	2449.5	2263.9	2086.6	1941.8	1815.2	1716.5	1643.3
180.0	3329.7	3019.4	2720.6	2449.5	2263.9	2086.6	1941.8	1815.2	1716.5	1643.3
225.0	3036.1	2749.1	2469.8	2277.1	2086.8	1931.4	1800.1	1694.6	1625.2	1554.5
270.0	3036.1	2749.1	2469.8	2277.1	2086.8	1931.4	1800.1	1694.6	1625.2	1554.5
315.0	2488.4	2274.3	2100.5	1975.0	1851.9	1740.1	1652.9	1578.1	1509.3	1449.5
360.0	2488.4	2274.3	2100.5	1975.0	1851.9	1740.1	1652.9	1578.1	1509.3	1449.5

C\G	30.0	31.0	32.0	33.0	34.0	35.0	36.0	37.0	38.0	39.0
0.0	1352.5	1225.0	1150.7	1092.9	1007.4	856.0	680.6	496.4	319.9	168.9
45.0	1412.0	1285.9	1197.6	1133.5	1074.8	950.9	814.4	640.1	459.7	291.7
90.0	1412.0	1285.9	1197.6	1133.5	1074.8	950.9	814.4	640.1	459.7	291.7
135.0	1584.4	1515.3	1454.7	1336.3	1233.0	1159.5	1117.8	1017.0	869.2	695.4
180.0	1584.4	1515.3	1454.7	1336.3	1233.0	1159.5	1117.8	1017.0	869.2	695.4
225.0	1491.8	1429.5	1347.0	1226.9	1160.1	1103.0	1023.0	878.5	711.9	528.8
270.0	1491.8	1429.5	1347.0	1226.9	1160.1	1103.0	1023.0	878.5	711.9	528.8
315.0	1352.5	1225.0	1150.7	1092.9	1007.4	856.0	680.6	496.4	319.9	168.9
360.0	1352.5	1225.0	1150.7	1092.9	1007.4	856.0	680.6	496.4	319.9	168.9

### Photometric Data Table [cd]

C\G	40.0	41.0	42.0	43.0	44.0	45.0	46.0	47.0	48.0	49.0
0.0	78.4	46.3	40.6	30.2	24.4	21.9	20.3	20.3	20.3	15.9
45.0	155.2	77.9	55.4	48.8	37.8	32.1	31.2	28.5	26.0	23.8
90.0	155.2	77.9	55.4	48.8	37.8	32.1	31.2	28.5	26.0	23.8
135.0	509.0	331.9	205.9	95.1	64.4	52.9	42.5	34.8	25.2	22.7
180.0	509.0	331.9	205.9	95.1	64.4	52.9	42.5	34.8	25.2	22.7
225.0	381.8	227.2	99.5	50.5	40.6	31.8	25.8	22.2	17.3	16.2
270.0	381.8	227.2	99.5	50.5	40.6	31.8	25.8	22.2	17.3	16.2
315.0	78.4	46.3	40.6	30.2	24.4	21.9	20.3	20.3	20.3	15.9
360.0	78.4	46.3	40.6	30.2	24.4	21.9	20.3	20.3	20.3	15.9

C\G	50.0	51.0	52.0	53.0	54.0	55.0	56.0	57.0	58.0	59.0
0.0	18.1	16.5	13.7	9.6	9.3	6.0	6.0	6.0	5.2	4.7
45.0	21.7	17.5	17.3	15.6	11.5	11.2	8.2	6.9	7.3	7.7
90.0	21.7	17.5	17.3	15.6	11.5	11.2	8.2	6.9	7.3	7.7
135.0	20.6	19.2	17.3	15.6	17.5	14.8	10.7	9.0	9.3	6.9
180.0	20.6	19.2	17.3	15.6	17.5	14.8	10.7	9.0	9.3	6.9
225.0	14.3	13.3	12.3	11.2	10.0	8.8	7.1	5.2	4.4	3.8
270.0	14.3	13.3	12.3	11.2	10.0	8.8	7.1	5.2	4.4	3.8
315.0	18.1	16.5	13.7	9.6	9.3	6.0	6.0	6.0	5.2	4.7
360.0	18.1	16.5	13.7	9.6	9.3	6.0	6.0	6.0	5.2	4.7

C\G	60.0	61.0	62.0	63.0	64.0	65.0	66.0	67.0	68.0	69.0
0.0	4.1	3.6	2.2	2.1	1.9	2.5	2.2	2.2	1.6	1.1
45.0	5.2	5.0	5.1	5.2	4.9	4.7	4.1	3.8	4.1	3.7
90.0	5.2	5.0	5.1	5.2	4.9	4.7	4.1	3.8	4.1	3.7
135.0	7.0	7.1	6.6	5.8	3.6	4.0	4.4	4.1	3.6	3.3
180.0	7.0	7.1	6.6	5.8	3.6	4.0	4.4	4.1	3.6	3.3
225.0	3.8	3.0	2.5	1.9	1.8	1.6	1.5	1.4	1.9	0.0
270.0	3.8	3.0	2.5	1.9	1.8	1.6	1.5	1.4	1.9	0.0
315.0	4.1	3.6	2.2	2.1	1.9	2.5	2.2	2.2	1.6	1.1
360.0	4.1	3.6	2.2	2.1	1.9	2.5	2.2	2.2	1.6	1.1

C\G	70.0	71.0	72.0	73.0	74.0	75.0	76.0	77.0	78.0	79.0
0.0	1.6	1.6	0.0	0.0	0.0	0.0	0.0	0.0	0.3	0.6
45.0	3.3	3.3	2.9	2.5	2.6	2.8	2.2	2.1	1.9	2.2
90.0	3.3	3.3	2.9	2.5	2.6	2.8	2.2	2.1	1.9	2.2
135.0	3.1	3.0	2.8	2.6	2.5	1.1	1.5	1.4	1.4	1.1
180.0	3.1	3.0	2.8	2.6	2.5	1.1	1.5	1.4	1.4	1.1
225.0	0.0	0.3	1.1	1.4	1.6	1.4	1.1	0.8	0.8	0.0
270.0	0.0	0.3	1.1	1.4	1.6	1.4	1.1	0.8	0.8	0.0
315.0	1.6	1.6	0.0	0.0	0.0	0.0	0.0	0.0	0.3	0.6
360.0	1.6	1.6	0.0	0.0	0.0	0.0	0.0	0.0	0.3	0.6

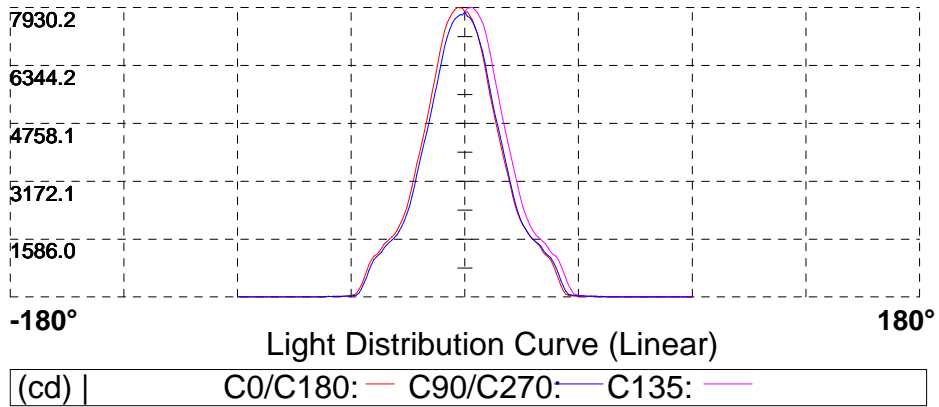
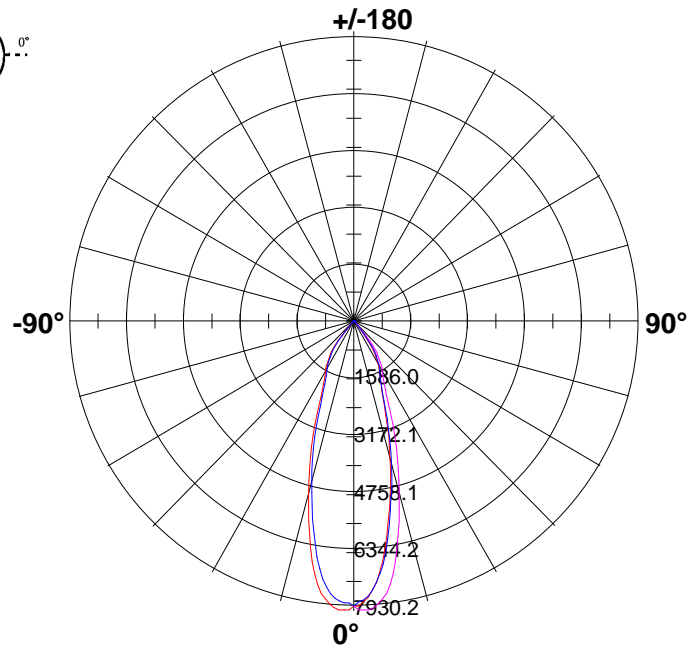
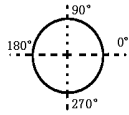
### Photometric Data Table [cd]

C\G	80.0	81.0	82.0	83.0	84.0	85.0	86.0	87.0	88.0	89.0
0.0	0.1	0.3	0.3	0.3	0.1	0.3	0.0	0.0	0.0	0.0
45.0	1.8	1.9	1.9	0.0	0.0	0.3	0.1	0.0	0.0	0.0
90.0	1.8	1.9	1.9	0.0	0.0	0.3	0.1	0.0	0.0	0.0
135.0	1.2	1.4	1.1	0.8	0.8	0.8	0.7	0.6	0.6	0.6
180.0	1.2	1.4	1.1	0.8	0.8	0.8	0.7	0.6	0.6	0.6
225.0	0.0	0.0	0.2	0.4	0.3	0.3	0.0	0.0	0.0	0.0
270.0	0.0	0.0	0.2	0.4	0.3	0.3	0.0	0.0	0.0	0.0
315.0	0.1	0.3	0.3	0.3	0.1	0.3	0.0	0.0	0.0	0.0
360.0	0.1	0.3	0.3	0.3	0.1	0.3	0.0	0.0	0.0	0.0

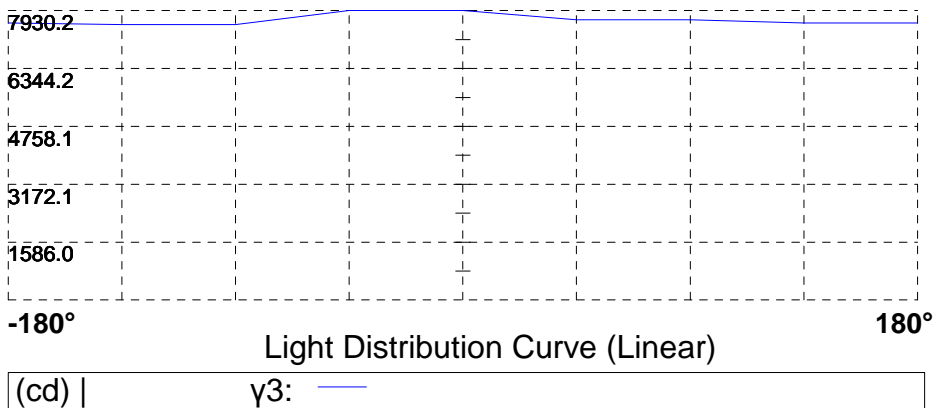
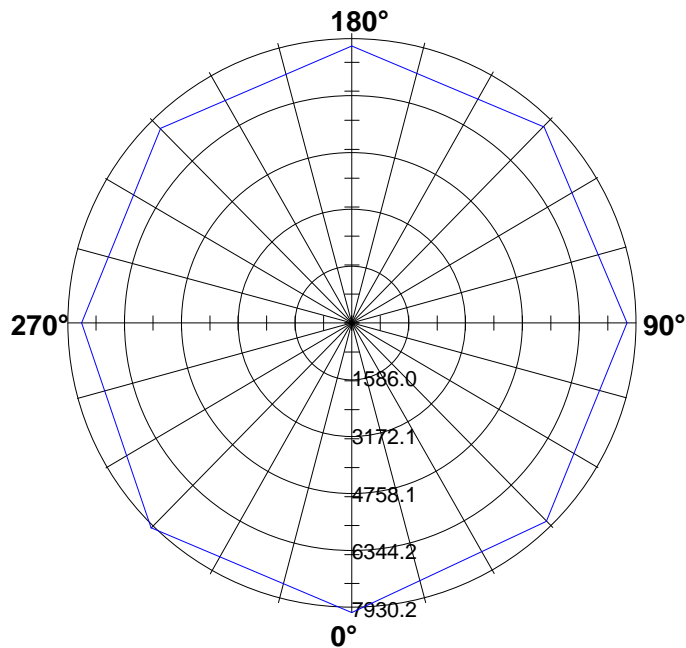
C\G	90.0
0.0	0.0
45.0	1.4
90.0	1.4
135.0	0.0
180.0	0.0
225.0	0.0
270.0	0.0
315.0	0.0
360.0	0.0

### Light Distribution Curve [Unit: cd]

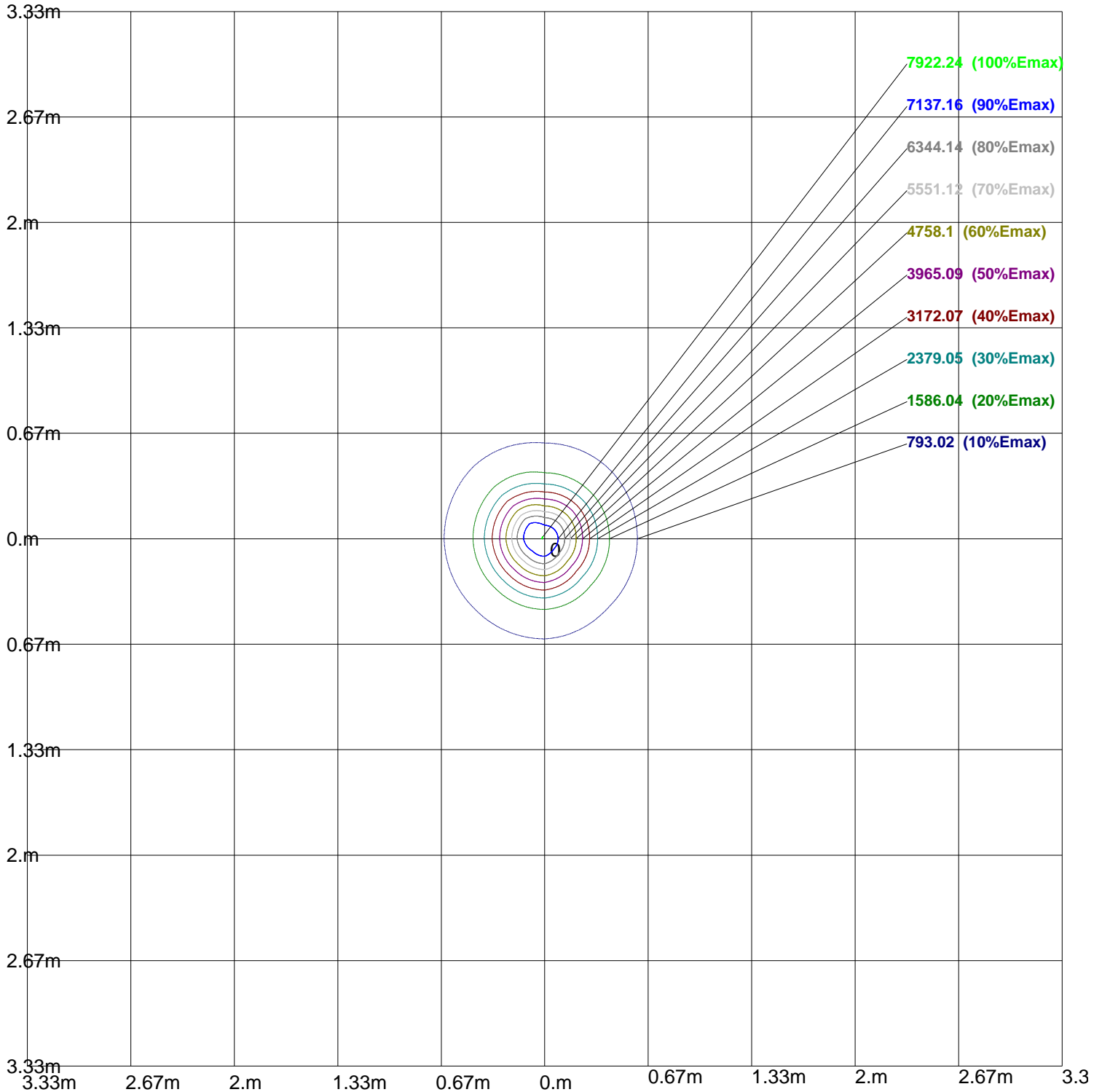
Luminaire



### Max Plane Light Distribution Curve [Unit: cd]



### Iso-Lux[lx]



Height: 1 m  
Max Illuminance : 7930.17lx

## Luminance Limiting Curve

Diameter: mm

Length: 195mm

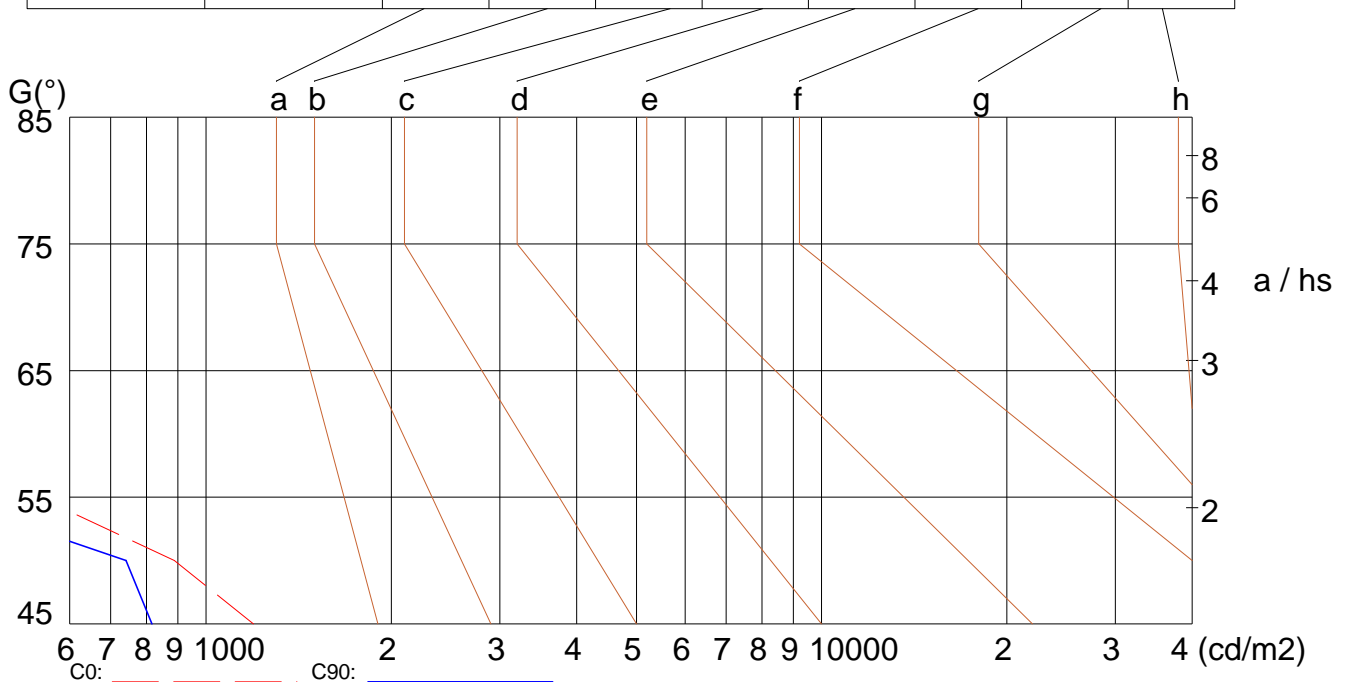
Width: 195mm

Height: 130mm

(cd/m<sup>2</sup>)

$\gamma$		45°	50°	55°	60°	65°	70°	75°	80°	85°
C0	271	7793	887	516	274	290	252			
C90	19	876	741	277	215	153	126			

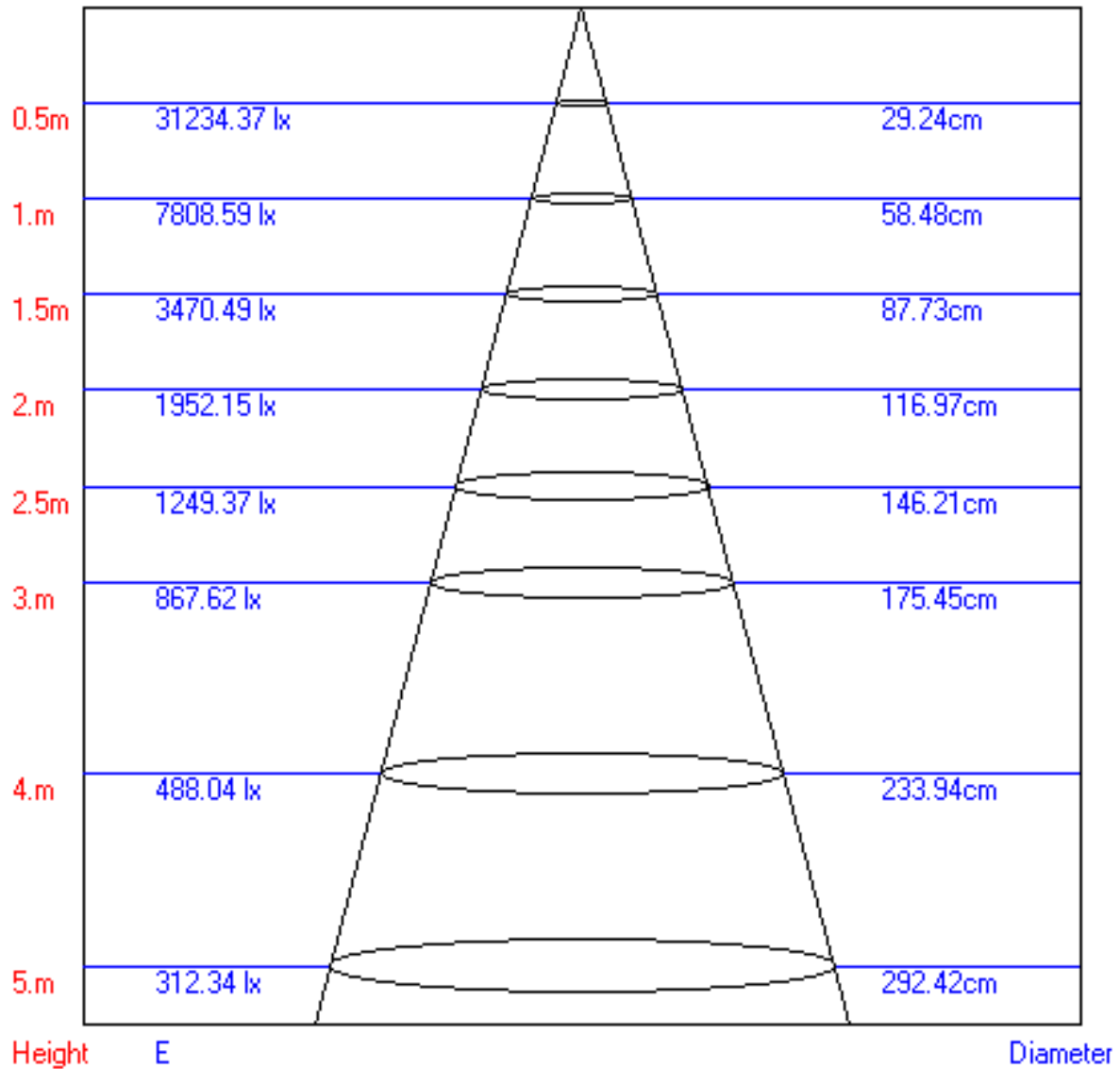
Glare	Quality	Service Values Illuminance (lx)							
1.15	A	2000	1000	500	≤300				
1.5	B		2000	1000	500	≤300			
1.85	C			2000	1000	500	≤300		
2.2	D				2000	1000	500	≤300	
2.55	E					2000	1000	500	≤300



Lum. Limiting Curve (C0/C90)



### Lux-Distance Curve



Beam Angle:32.60°

### Utilization Coefficient Table

RHOCC	80			70			50			30			10			0
RHOW	50	30	10	50	30	10	50	30	10	50	30	10	50	30	10	0
RRCR	COEFFICIENTS OF UTILIZATION FOR RHOFC=20															
0	1.19	1.19	1.19	1.16	1.16	1.16	1.11	1.11	1.11	1.06	1.06	1.06	1.02	1.02	1.02	1.00
1	1.15	1.15	1.14	1.14	1.13	1.12	1.09	1.08	1.07	1.04	1.02	1.01	0.96	0.95	0.94	0.89
2	1.09	1.08	1.08	1.08	1.06	1.05	1.04	1.02	1.01	0.99	0.97	0.95	0.93	0.91	0.89	0.84
3	1.04	1.02	1.02	1.02	1.01	0.99	0.99	0.96	0.95	0.94	0.92	0.90	0.89	0.86	0.84	0.80
4	0.98	0.97	0.96	0.97	0.95	0.94	0.94	0.91	0.90	0.90	0.87	0.85	0.85	0.82	0.80	0.75
5	0.93	0.92	0.91	0.92	0.90	0.89	0.89	0.87	0.85	0.86	0.83	0.80	0.82	0.78	0.76	0.72
6	0.89	0.87	0.87	0.88	0.86	0.85	0.85	0.82	0.80	0.82	0.79	0.76	0.79	0.75	0.72	0.68
7	0.85	0.83	0.82	0.83	0.82	0.80	0.81	0.78	0.77	0.78	0.75	0.73	0.75	0.71	0.68	0.65
8	0.81	0.79	0.78	0.80	0.78	0.77	0.78	0.75	0.73	0.75	0.72	0.69	0.72	0.68	0.65	0.62
9	0.77	0.76	0.75	0.76	0.74	0.73	0.74	0.71	0.70	0.72	0.68	0.66	0.69	0.65	0.62	0.59
10	0.74	0.72	0.72	0.73	0.71	0.70	0.71	0.68	0.67	0.69	0.66	0.63	0.67	0.63	0.60	0.56

