

## Luminaire Property

Luminaire: RH-RPL22-22W-4000

Report NO.:

Test NO.: HLB211025

Lamp:

Sum Lumens: 2668.62 lm

Number of Lamps: 1

Diameter: 225mm

Length: mm

Photometric Type: Type C

Voltage: 230.9 V

Current: 0.104 A

Power: 23.2 W

Power Factor: 0.967

Ballast Type: DL-30H-C600-LAC 600.mA

Width: 225mm

Height: 25mm

Remark: 0.5W SMD2835 12C9B

## Photometric Results

Lumens: 2668.62 lm

Efficiency: 115.0267 lm/W

Central Intensity: 972.969cd

Maximum Intensity: 974.599cd

Beam Angle(10%): Left: -80.1 Right:78.0

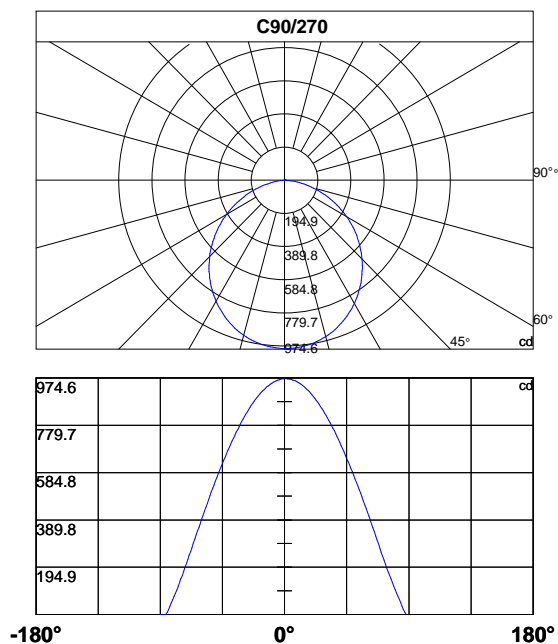
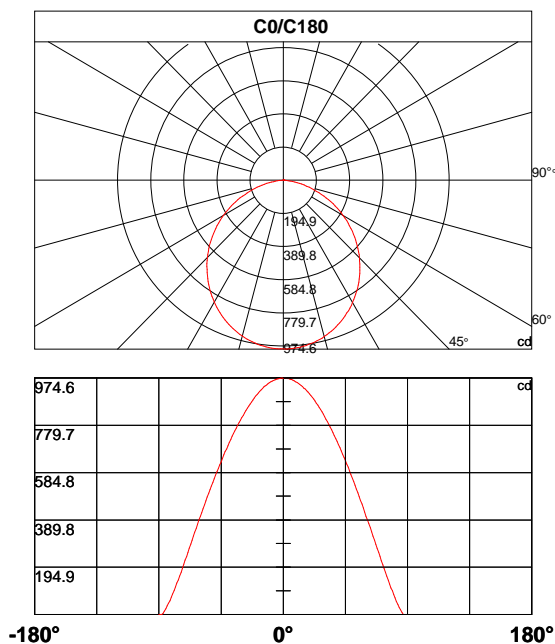
Angle of maximum intensity: C:0.0 G:1.0

Half Peak Side Angle(50%): Left: -55.8 Right:53.9

Light Out Rate(LOR) : 100.00%

Up Flux Rate: 0.0%

Down Flux Rate: 100.0%



## Photometric Data Table [cd]

C\G	0.0	1.0	2.0	3.0	4.0	5.0	6.0	7.0	8.0	9.0
0.0	973.0	974.6	973.6	972.7	971.6	970.2	968.6	965.7	963.2	959.8
45.0	973.0	971.6	971.0	970.8	969.5	968.4	966.3	964.4	962.3	958.9
90.0	973.0	971.6	971.0	970.8	969.5	968.4	966.3	964.4	962.3	958.9
135.0	973.0	974.4	973.6	972.6	970.9	969.4	966.9	964.3	962.0	958.6
180.0	973.0	974.4	973.6	972.6	970.9	969.4	966.9	964.3	962.0	958.6
225.0	973.0	971.2	970.5	969.1	967.4	965.8	963.5	960.5	957.7	954.4
270.0	973.0	971.2	970.5	969.1	967.4	965.8	963.5	960.5	957.7	954.4
315.0	973.0	974.6	973.6	972.7	971.6	970.2	968.6	965.7	963.2	959.8
360.0	973.0	974.6	973.6	972.7	971.6	970.2	968.6	965.7	963.2	959.8

C\G	10.0	11.0	12.0	13.0	14.0	15.0	16.0	17.0	18.0	19.0
0.0	956.5	952.8	948.6	943.8	939.2	933.3	928.7	922.2	916.3	909.3
45.0	955.5	951.7	948.1	944.6	939.1	934.5	929.2	923.1	917.7	911.2
90.0	955.5	951.7	948.1	944.6	939.1	934.5	929.2	923.1	917.7	911.2
135.0	954.8	950.7	946.0	941.4	937.5	931.5	925.6	919.0	912.6	906.7
180.0	954.8	950.7	946.0	941.4	937.5	931.5	925.6	919.0	912.6	906.7
225.0	950.3	946.1	941.9	937.8	931.8	926.5	920.7	915.1	908.5	901.3
270.0	950.3	946.1	941.9	937.8	931.8	926.5	920.7	915.1	908.5	901.3
315.0	956.5	952.8	948.6	943.8	939.2	933.3	928.7	922.2	916.3	909.3
360.0	956.5	952.8	948.6	943.8	939.2	933.3	928.7	922.2	916.3	909.3

C\G	20.0	21.0	22.0	23.0	24.0	25.0	26.0	27.0	28.0	29.0
0.0	902.3	894.8	887.7	879.8	871.3	863.0	853.5	845.5	835.7	825.8
45.0	904.7	896.9	889.7	882.0	874.8	866.2	857.6	848.2	839.6	829.5
90.0	904.7	896.9	889.7	882.0	874.8	866.2	857.6	848.2	839.6	829.5
135.0	899.2	892.0	883.8	875.6	867.5	859.2	850.5	840.8	831.5	821.0
180.0	899.2	892.0	883.8	875.6	867.5	859.2	850.5	840.8	831.5	821.0
225.0	894.1	886.5	878.6	871.1	862.8	854.0	844.5	834.9	826.0	816.6
270.0	894.1	886.5	878.6	871.1	862.8	854.0	844.5	834.9	826.0	816.6
315.0	902.3	894.8	887.7	879.8	871.3	863.0	853.5	845.5	835.7	825.8
360.0	902.3	894.8	887.7	879.8	871.3	863.0	853.5	845.5	835.7	825.8

C\G	30.0	31.0	32.0	33.0	34.0	35.0	36.0	37.0	38.0	39.0
0.0	815.6	804.4	793.8	783.8	772.8	761.2	749.1	737.0	724.3	713.6
45.0	821.3	810.3	800.1	789.5	778.0	768.2	756.6	744.7	733.1	720.6
90.0	821.3	810.3	800.1	789.5	778.0	768.2	756.6	744.7	733.1	720.6
135.0	810.7	801.5	790.7	779.7	768.0	756.0	746.0	734.1	721.3	708.8
180.0	810.7	801.5	790.7	779.7	768.0	756.0	746.0	734.1	721.3	708.8
225.0	806.4	795.4	784.5	772.9	761.5	751.2	739.1	727.1	714.2	701.6
270.0	806.4	795.4	784.5	772.9	761.5	751.2	739.1	727.1	714.2	701.6
315.0	815.6	804.4	793.8	783.8	772.8	761.2	749.1	737.0	724.3	713.6
360.0	815.6	804.4	793.8	783.8	772.8	761.2	749.1	737.0	724.3	713.6

### Photometric Data Table [cd]

C\G	40.0	41.0	42.0	43.0	44.0	45.0	46.0	47.0	48.0	49.0
0.0	700.7	687.6	674.3	660.8	646.8	634.8	620.4	606.0	591.0	576.5
45.0	707.9	694.8	684.2	670.7	657.3	643.3	629.3	617.0	602.8	588.4
90.0	707.9	694.8	684.2	670.7	657.3	643.3	629.3	617.0	602.8	588.4
135.0	695.7	682.8	671.4	658.0	644.0	630.0	616.4	601.3	589.2	574.1
180.0	695.7	682.8	671.4	658.0	644.0	630.0	616.4	601.3	589.2	574.1
225.0	690.2	677.1	663.6	649.3	635.5	621.6	609.0	594.4	579.6	565.3
270.0	690.2	677.1	663.6	649.3	635.5	621.6	609.0	594.4	579.6	565.3
315.0	700.7	687.6	674.3	660.8	646.8	634.8	620.4	606.0	591.0	576.5
360.0	700.7	687.6	674.3	660.8	646.8	634.8	620.4	606.0	591.0	576.5

C\G	50.0	51.0	52.0	53.0	54.0	55.0	56.0	57.0	58.0	59.0
0.0	561.2	548.1	533.0	517.1	501.7	485.7	469.1	455.6	439.1	422.7
45.0	573.9	558.8	544.1	531.0	515.4	499.5	484.0	467.9	451.6	437.9
90.0	573.9	558.8	544.1	531.0	515.4	499.5	484.0	467.9	451.6	437.9
135.0	559.3	544.5	528.9	513.9	500.2	484.8	468.7	452.3	436.0	419.9
180.0	559.3	544.5	528.9	513.9	500.2	484.8	468.7	452.3	436.0	419.9
225.0	549.7	534.1	520.6	505.1	489.7	473.0	457.1	440.4	426.5	410.1
270.0	549.7	534.1	520.6	505.1	489.7	473.0	457.1	440.4	426.5	410.1
315.0	561.2	548.1	533.0	517.1	501.7	485.7	469.1	455.6	439.1	422.7
360.0	561.2	548.1	533.0	517.1	501.7	485.7	469.1	455.6	439.1	422.7

C\G	60.0	61.0	62.0	63.0	64.0	65.0	66.0	67.0	68.0	69.0
0.0	405.4	388.9	374.2	357.4	340.4	323.3	305.6	288.6	273.5	256.1
45.0	421.4	404.6	388.8	371.6	357.5	340.4	323.3	306.9	289.9	273.2
90.0	421.4	404.6	388.8	371.6	357.5	340.4	323.3	306.9	289.9	273.2
135.0	405.6	388.7	372.5	354.8	338.3	323.7	306.6	289.4	272.9	255.9
180.0	405.6	388.7	372.5	354.8	338.3	323.7	306.6	289.4	272.9	255.9
225.0	392.9	376.6	359.5	344.8	328.0	310.8	293.9	276.0	259.2	244.5
270.0	392.9	376.6	359.5	344.8	328.0	310.8	293.9	276.0	259.2	244.5
315.0	405.4	388.9	374.2	357.4	340.4	323.3	305.6	288.6	273.5	256.1
360.0	405.4	388.9	374.2	357.4	340.4	323.3	305.6	288.6	273.5	256.1

C\G	70.0	71.0	72.0	73.0	74.0	75.0	76.0	77.0	78.0	79.0
0.0	239.6	222.0	204.8	188.1	173.8	157.6	140.9	125.6	109.9	97.0
45.0	256.1	241.7	224.9	208.5	192.4	175.7	162.5	146.6	131.0	116.7
90.0	256.1	241.7	224.9	208.5	192.4	175.7	162.5	146.6	131.0	116.7
135.0	238.8	223.9	207.6	191.3	174.3	158.1	142.6	129.3	113.4	98.5
180.0	238.8	223.9	207.6	191.3	174.3	158.1	142.6	129.3	113.4	98.5
225.0	227.4	210.7	193.5	178.1	160.9	147.4	131.9	116.0	101.2	86.8
270.0	227.4	210.7	193.5	178.1	160.9	147.4	131.9	116.0	101.2	86.8
315.0	239.6	222.0	204.8	188.1	173.8	157.6	140.9	125.6	109.9	97.0
360.0	239.6	222.0	204.8	188.1	173.8	157.6	140.9	125.6	109.9	97.0

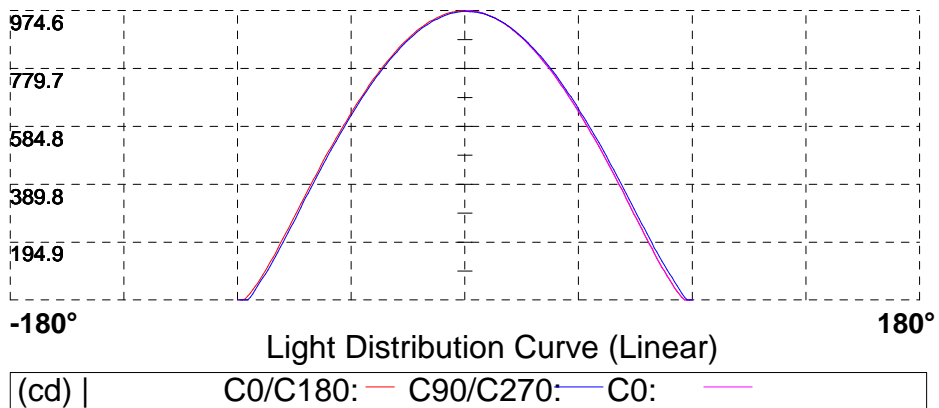
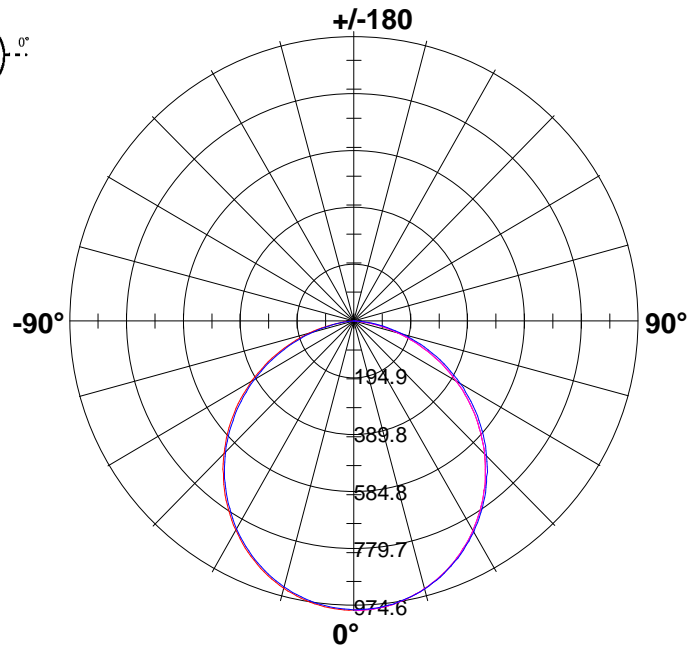
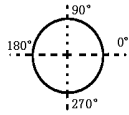
### Photometric Data Table [cd]

C\G	80.0	81.0	82.0	83.0	84.0	85.0	86.0	87.0	88.0	89.0
0.0	81.9	68.2	54.5	41.3	29.2	19.5	7.6	0.0	0.0	0.0
45.0	101.4	87.6	76.1	61.7	48.7	34.7	20.9	9.0	0.0	0.0
90.0	101.4	87.6	76.1	61.7	48.7	34.7	20.9	9.0	0.0	0.0
135.0	84.8	70.5	57.1	46.1	34.9	23.4	12.9	3.6	0.0	0.0
180.0	84.8	70.5	57.1	46.1	34.9	23.4	12.9	3.6	0.0	0.0
225.0	74.5	61.4	47.6	34.4	20.8	9.0	0.0	0.0	0.0	0.0
270.0	74.5	61.4	47.6	34.4	20.8	9.0	0.0	0.0	0.0	0.0
315.0	81.9	68.2	54.5	41.3	29.2	19.5	7.6	0.0	0.0	0.0
360.0	81.9	68.2	54.5	41.3	29.2	19.5	7.6	0.0	0.0	0.0

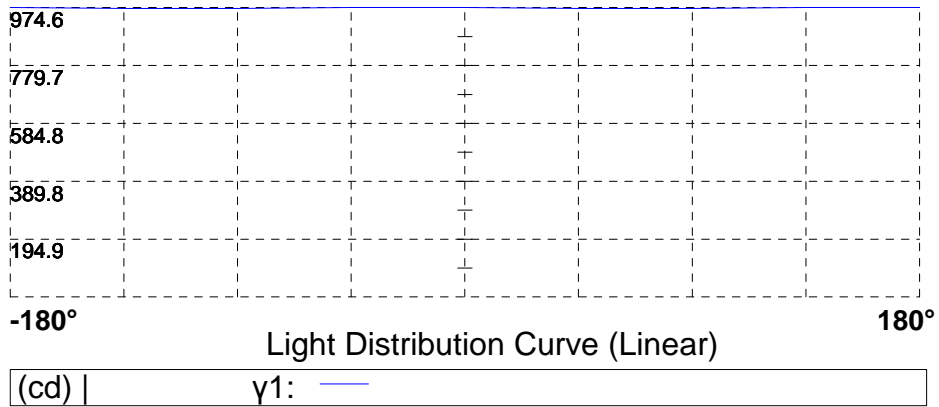
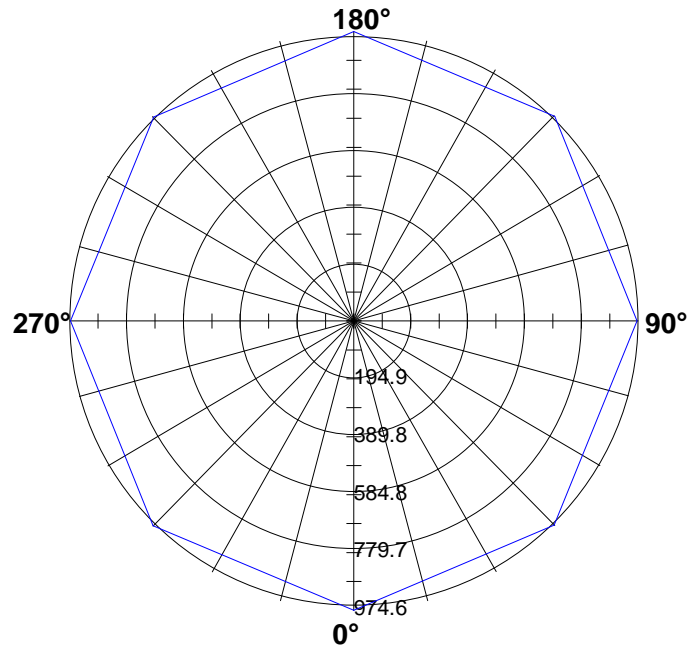
C\G	90.0
0.0	0.0
45.0	0.0
90.0	0.0
135.0	0.0
180.0	0.0
225.0	0.0
270.0	0.0
315.0	0.0
360.0	0.0

### Light Distribution Curve [Unit: cd]

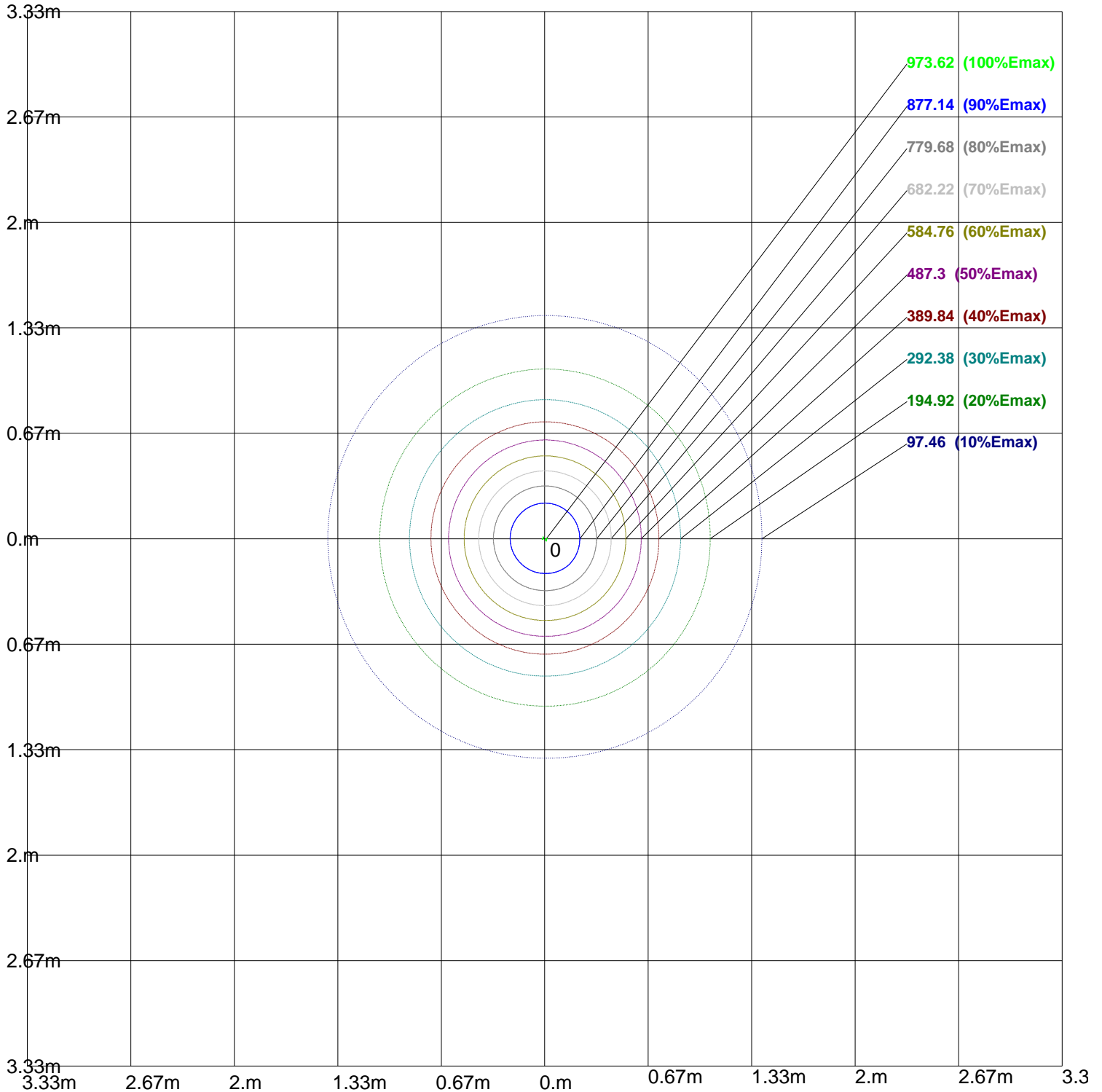
Luminaire



### Max Plane Light Distribution Curve [Unit: cd]



### Iso-Lux[lx]



Height: 1 m  
Max Illuminance : 974.6lx

## Luminance Limiting Curve

Diameter: 225mm

Length: mm

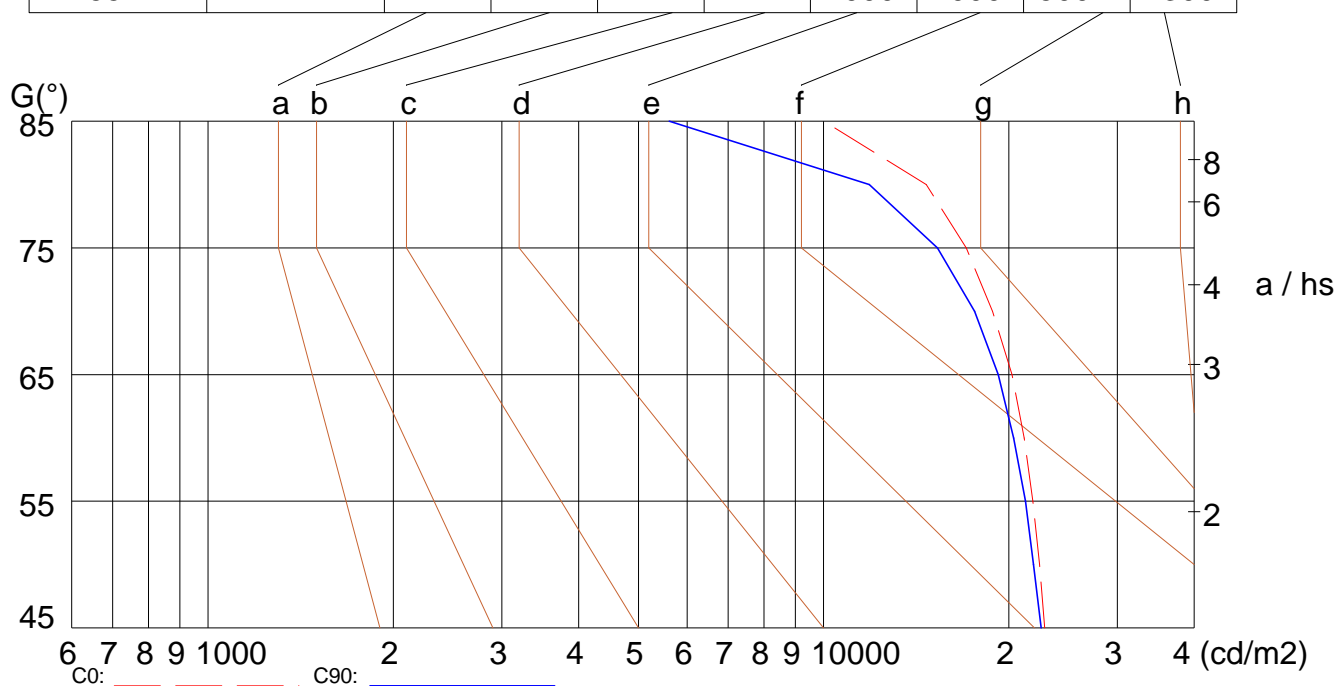
Width: 225mm

Height: 25mm

(cd/m<sup>2</sup>)

$\gamma$	45°	50°	55°	60°	65°	70°	75°	80°	85°
C0	22857	22431	21879	21176	20239	18815	17057	14676	10007
C90	22558	21935	21275	20369	19221	17602	15301	11857	5615

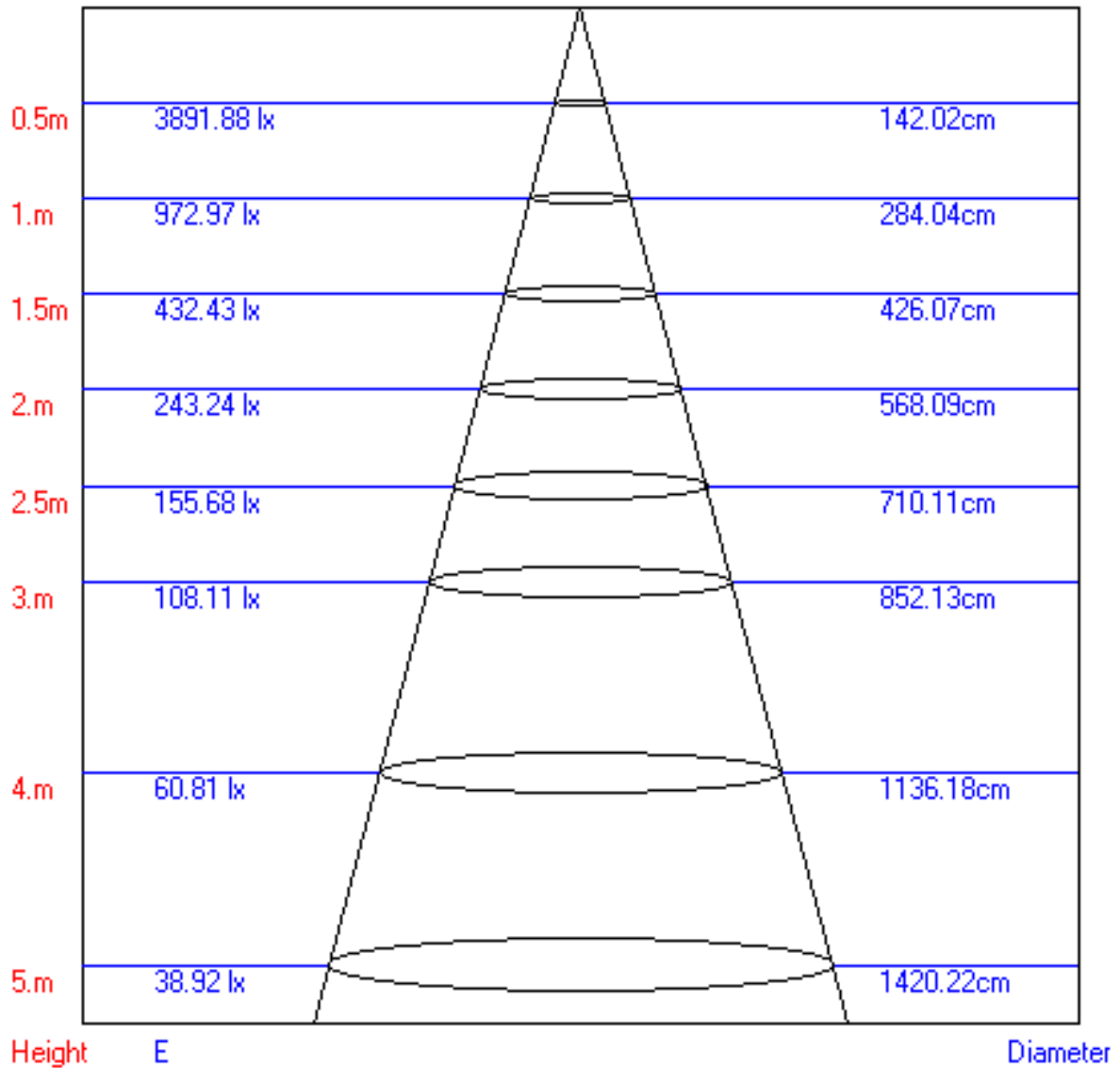
Glare	Quality	Service Values Illuminance (lx)							
1.15	A	2000	1000	500	≤300				
1.5	B		2000	1000	500	≤300			
1.85	C			2000	1000	500	≤300		
2.2	D				2000	1000	500	≤300	
2.55	E					2000	1000	500	≤300



Lum. Limiting Curve (C0/C90)



### Lux-Distance Curve



Beam Angle:109.70°

Utilization Coefficient Table

RHOCC	80			70			50			30			10			0
RHOW	50	30	10	50	30	10	50	30	10	50	30	10	50	30	10	0
RRCR	COEFFICIENTS OF UTILIZATION FOR RHOFC=20															
0	1.19	1.19	1.19	1.16	1.16	1.16	1.11	1.11	1.11	1.06	1.06	1.06	1.02	1.02	1.02	1.00
1	1.05	1.03	1.02	1.04	1.02	1.00	1.00	0.98	0.96	0.95	0.93	0.91	0.89	0.87	0.84	0.79
2	0.89	0.87	0.85	0.89	0.86	0.83	0.87	0.83	0.80	0.83	0.79	0.76	0.79	0.75	0.71	0.66
3	0.77	0.74	0.72	0.76	0.73	0.70	0.75	0.71	0.67	0.73	0.68	0.64	0.70	0.65	0.60	0.56
4	0.66	0.63	0.61	0.67	0.63	0.60	0.66	0.61	0.58	0.65	0.59	0.55	0.63	0.57	0.52	0.48
5	0.58	0.55	0.53	0.58	0.55	0.52	0.59	0.54	0.50	0.58	0.52	0.48	0.57	0.50	0.45	0.41
6	0.51	0.48	0.47	0.52	0.48	0.46	0.52	0.47	0.44	0.52	0.46	0.42	0.52	0.45	0.40	0.36
7	0.45	0.43	0.41	0.46	0.43	0.40	0.47	0.42	0.39	0.48	0.42	0.37	0.47	0.41	0.35	0.32
8	0.41	0.38	0.37	0.42	0.38	0.36	0.43	0.38	0.35	0.43	0.38	0.33	0.44	0.37	0.32	0.29
9	0.37	0.35	0.33	0.38	0.35	0.32	0.39	0.34	0.31	0.40	0.34	0.30	0.40	0.34	0.29	0.26
10	0.34	0.31	0.30	0.35	0.31	0.29	0.36	0.31	0.28	0.37	0.31	0.27	0.37	0.31	0.26	0.23

